

CQA97591TMW**851nm****IR LED
Edged Corner Bonded**

creativeled.com

Features

- * SMD LED with typ. Radiation of 62 degree full beam angle
- * Reflow Solderable acc. JEDEC J-STD-020D
- * Very Low Thermal Resistance (< 5K/W)
based on LTCC-Substrate with AG-Slugs
- * RoHs and REACH conform
- * Electrical isolation thermal pad for direct soldering on
heat-sink without any isolation layer for best heat transfer

**Applications**

- * IR- Flash-Light
- * Medical instruments
- * Light Interrupter and switches

*** Safety Note :**

This product can be driven with high level risks for human eyes and body acc. IEC 825 and EN62471

Optical and Electrical Characteristics @Tambient =25°C

Symbol	Parameter	MIN	Typ	MAX	UNIT	Test conditions
I F	DC Forward current			500	mA	
I Peak	Peak Forward current			1000	mA	TP < 10µsec. ; T=1:100 ; Rtherm < 100K/W
V F	Forward Voltage		1.5	2.0	V	IF = 20mA
λ Peak	Peak Wavelength	850	851		nm	IF = 20mA
Δλ 0.5	Bandwidth of half power		30		nm	IF = 20mA
t r	Rise time		3		µs	
t f	Fall time		860		ns	
Φ E	Total Power Output		116		mW	IF = 500mA
I E	Radiant Intensity	100	104		mW/sr	IF = 500mA
2Φ 0.5	Full Emission Angle		62		deg.	ΦE = 50%
A	Chip size		4		mm²	
TK VF	Temp.Coeff. Of Forward Voltage		TBA		mV/K	
T junction	LED-Junction Temperature			100	°C	
T Soldering	Soldering Temperature			240	°C	REFLOW SOLDER
T Operating	Operating Temperature	-40		85	°C	
T Storage	Storage Temperature	-40		85	°C	
R thJA	Thermal Resistance		2.3		K/W	
P tot	Total Power Dissipation			1000	mW	

* values only for information

Order informations:

CQA97591TMW

Bulk (100pcs./Bag) /standard)

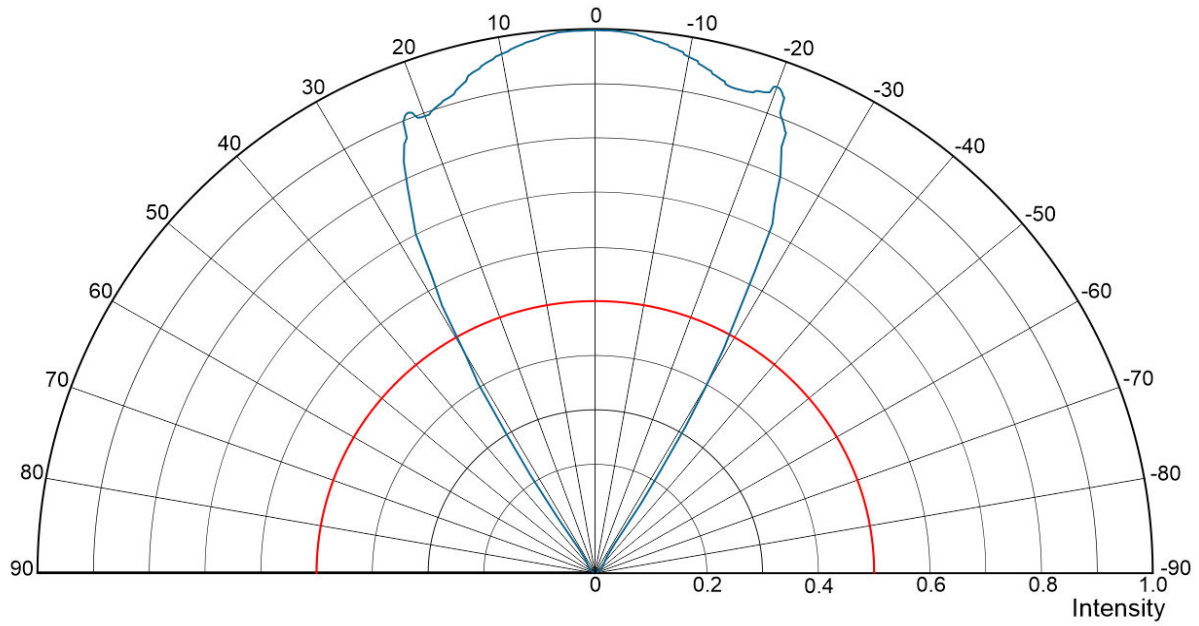
Pls. Contact us for more technical detail information !

CREATIVE LED GMBH reserves the right to make changes at any time in order to improve design and to supply the best product possible, contact us for latest device specification sheets before using.

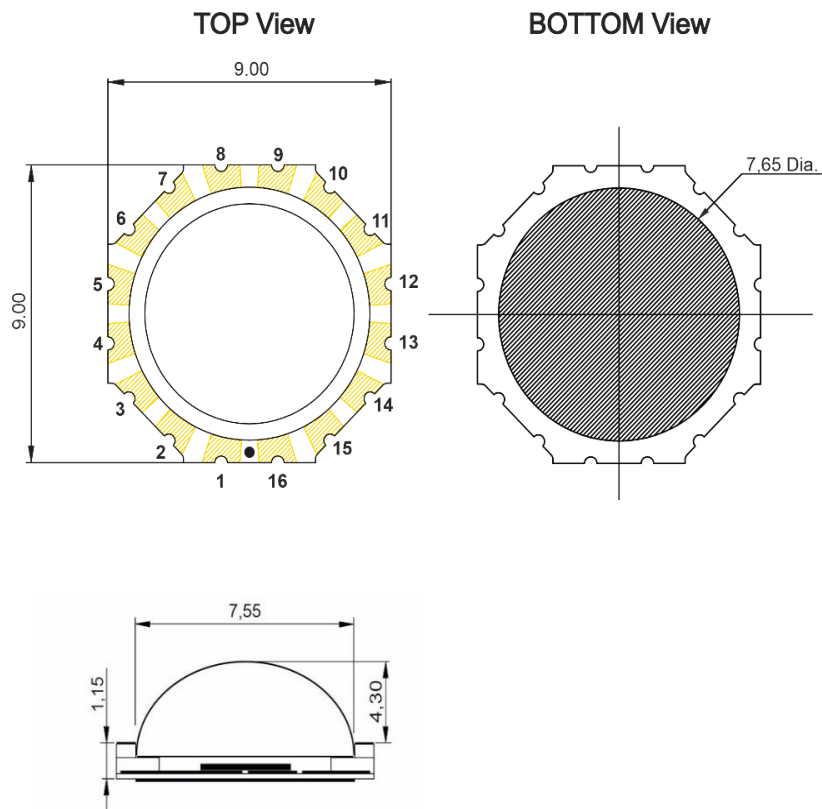
CQA97591TMW

Relative Radiation Angle

@20mA @ T_{ambient} = 25°C



Mechanical Drawing



CREATIVE LED GMBH reserves the right to make changes at any time in order to improve design and to supply the best product possible, contact us for latest device specification sheets before using.