

CQR35570TUL

870nm

IR LED Edged Corner Bonded

creativeled.com

Features

- * Reflow-soldering
- * RoHs and REACH conform
- * Edge Corner Chip



Applications

- * Cat-2 Safety Light Guard
- * IR-Flash-Lights
- * Medical Instruments
- * Light interrupter and switches

Optical and Electrical Characteristics @Tambient =25°C

Symbol	Parameter	MIN	Typ	MAX	UNIT	Test conditions
I F	DC Forward current			150	mA	
I Peak	Peak Forward current			400	mA	Tr < 10µsec. ; T=1:100 ; Rtherm < 100K/W
V F	Forward Voltage		1.5	1.8	V	IF = 20mA
λ Peak	Peak Wavelength	860	865		nm	IF = 20mA
Δλ 0.5	Bandwidth of half power		46		nm	IF = 20mA
t r	Rise time		3.5		µs	
t f	Fall time		7.8		µs	
Φ E	Total Power Output		60		mW	IF = 100mA
I E	Radiant Intensity	15	17		mW/sr	IF = 100mA
2Φ 0.5	Full Emission Angle		110		deg.	ΦE = 50%
A	Chip size		0.132		mm²	
TK VF	Temp.Coeff. Of Forward Voltage		-1.5		mV/K	
T junction	LED-Junction Temperature			100	°C	
T Soldering	Soldering Temperature			260	°C	Iron Soldering; max 3 sec.
T Soldering	Soldering Temperature			240	°C	REFLOW SOLDER
T Operating	Operating Temperature	-40		85	°C	
T Storage	Storage Temperature	-40		85	°C	
R thJA	Thermal Resistance		450		K/W	
P tot	Total Power Dissipation			262.5	mW	

* values only for information

Order informations:

CQR35570TUL

Bulk (1000pcs./Bag) /standard)

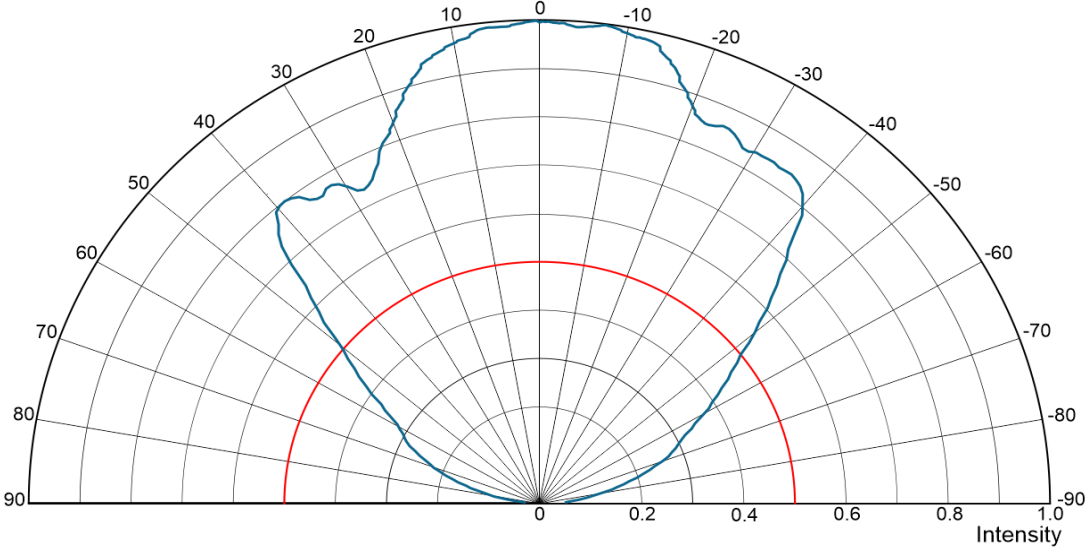
Pls. Contact us for more technical detail information !

CREATIVE LED GMBH reserves the right to make changes at any time in order to improve design and to supply the best product possible, contact us for latest device specification sheets before using.

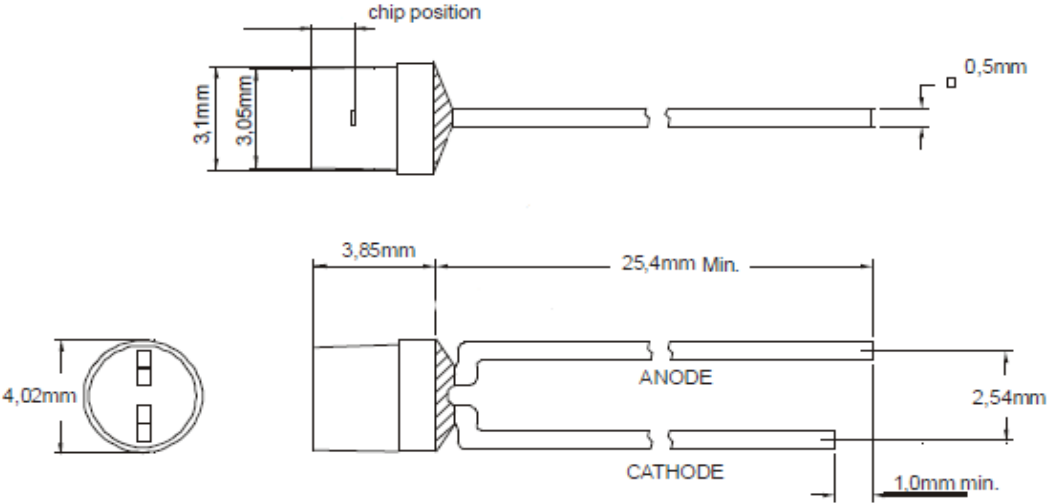
CQR35570TUL

Relative Radiation Angle

@20mA @ T_{ambient} = 25°C



Mechanical Drawing



ALL TOLERANCE SHALL BE +/- 8mil / 0,2mm

CREATIVE LED GMBH reserves the right to make changes at any time in order to improve design and to supply the best product possible, contact us for latest device specification sheets before using.